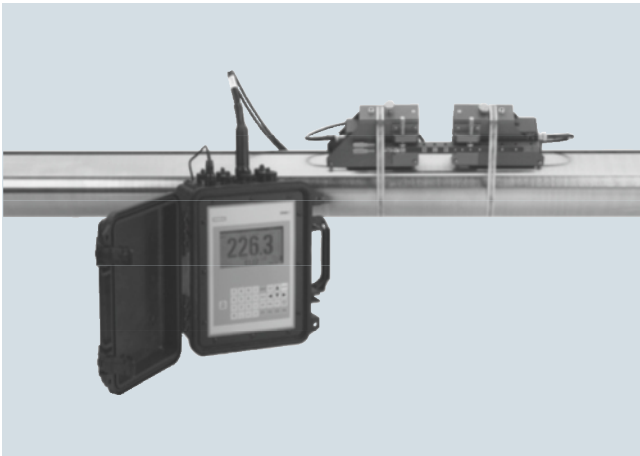


Overview



SITRANS FUP1010 clamp-on non-intrusive ultrasonic flow transmitter offers maximum versatility plus battery power for portable field use. It can operate in either WideBeam transit time or reflexor (Doppler) mode, making it suitable for virtually any liquid, even those with high aeration or suspended solids.

SITRANS FUP1010 is available in single and dual channel or dual path configurations, with IP67 weatherproof enclosure.

Benefits

- Battery power facilitates field use; the meter is easily transported from one installation to another – saving time for surveys, monitoring and temporary installations
- Weatherproof enclosure can be used outdoors and left in place without concern for rain damage
- Rugged plastic case enables it to withstand rough treatment that would destroy most other meters
- Versatility - there is no need to change meters when operating conditions change
- Easy installation; no need to cut pipe or stop flow
- Minimal maintenance; external sensors do not require periodic cleaning
- No moving parts to wear or foul
- No pressure drop or energy loss
- Wide turn-down ratio
- Choice of single or dual channel models minimizes total cost
- ZeroMatic Path automatically sets zero without stopping flow and reduces zero drift, even at low flow
- Note that the SITRANS FUP1010 flow transmitter is not available with hazardous area approvals

Application

SITRANS FUP1010 is suitable for a wide variety of liquid applications, including the following:

- Water industry
 - Raw water
 - Potable water
 - Chemicals
- Wastewater industry
 - Raw sewage
 - Effluent
 - Sludges
 - Mixed liquor
 - Chemicals
- HVAC industry
 - Chillers
 - Condensers
 - Hot and cold water systems
 - Thermal energy rate and total
- Power industry
 - Nuclear
 - Fossil
 - Hydroelectric
- Processing industry
 - Process control
 - Batching
 - Rate indication
 - Volumetric and mass measurement

Design

- IP67 Weatherproof/Impact resistant enclosure constructed of mineral reinforced copolymer polypropylene
 - Single channel
 - Dual channel/dual path

Function

- Integral 33 button keypad and large (128 x 240 pixel) graphic display visible up to 12 m (40 ft) away
- Current, voltage, frequency and RS 232 outputs (see specification section for details)
- Optional current, voltage and temperature inputs (see specification section for details)
- ZeroMatic Path automatically sets zero
- Bi-directional flow operation
- 1 MByte data logger with both site and data logger storage
- English, Spanish, German, Italian and French language options

Flow Measurement

SITRANS F US Clamp-on

SITRANS FUP1010 (Portable)

Technical specifications

Input	
Flow range	± 12 m/s (± 40 ft/s), bidirectional
Pipe size	6.4 mm ... 9.14 m (0.25" ... 360")
Inputs, single channel	<ul style="list-style-type: none"> • Current: 2 x 4 ... 20 mA DC • Voltage: 2 x 0 ... 10 V DC • Temperature: 2 x 4 wire 1 kΩ RTD
Output	
Outputs	<ul style="list-style-type: none"> • Current: 2 x 4 ... 20 mA DC (1 kΩ at 30 V DC) • Voltage: 2 x 0 ... 10 V DC (5 kΩ minimum) • Status Alarm: 4 x SPDT Relays • Frequency: 2 x 0 ... 5000 Hz • RS 232
Accuracy	
Accuracy	± 0.5 % ... 2 % of flow, for velocities greater than 0.3 m/s (1 ft/s) ± 0.0015 ... 0.006 m/s (± 0.005 ... 0.02 ft/s), for velocities less than 0.3 m/s (1 ft/s)
Batch repeatability	± 0.15 % of flow, for velocities greater than 0.3 m/s (1 ft/s) ± 0.0005 m/s (± 0.0015 ft/s), for velocities less than 0.3 m/s (1 ft/s)
Rated operation conditions	
Degree of protection	<ul style="list-style-type: none"> • Weatherproof/impact resistant • IP67
Liquid temperature	<ul style="list-style-type: none"> • Standard: -40 ... +120 °C (-40 ... +250 °F) • Optional: -40 ... +230 °C (-40 ... +450 °F)
Ambient temperature	-18 ... +60 °C (0 ... 140 °F)
Design	
Dimensions	see SITRANS F US Clamp-on "System info and selection guide"
Weight	see diagrams
Power supply	
Power	Internal rechargeable battery
Battery operation	7 hours
Indication and operation	
Data logger memory	1 MByte
Site storage memory	50 sites minimum
Display	128 x 240 pixel LCD with back-light
Keypad	33 keypad buttons with tactile feedback
Language options	English, Spanish, German, Italian, French
Certificates and approvals	
Unclassified locations	UL ULc
Classified locations	
CE	EMC Directive 2004/108/EC ATEX Directive 94/9/EC

Flow Measurement SITRANS F US Clamp-on

SITRANS FUP1010 (Portable)

Standard MLFB for quick delivery on SITRANS FUP1010 Portable (excluding energy)

Selection and Ordering data	Article No.	Order Code	Selection and Ordering data	Article No.	Order Code
SITRANS FUP1010 (Portable) • IP67 weatherproof battery powered	7ME3510-	- 0 0	SITRANS FUP1010 (Portable) • IP67 weatherproof battery powered	7ME3510-	- 0 0
Number of channels/ultrasonic paths Single channel Dual channel/Dual path	1 2		Sensor for channel 2 (includes pipe mounting kit and spacer bar for indicated max. outer diameter listed) See "Sensor selection charts" for specifications.		
Standard flowmeter types and I/O configurations • Standard I/O - 2 x 4 ... 20 mA analog in - 2 x RTD input	C		no sensor A2 universal B3 universal C3 universal D3 universal E2 universal C1H (high precision) C2H (high precision) D1H (high precision) D2H (high precision) Doppler D1H	A B C D E F M N P Q S Z	Q1 P
Sensor cables No sensor cable 1 x PVC Jacket cable, length 6 m/20 ft 2 x PVC Jacket cable, length 6 m/20 ft 1 x PVC Jacket cable, length 15 m/50 ft 2 x PVC Jacket cable, length 15 m/50 ft	A B C D E		Trackmount and straps provided up to 75 mm (3") Trackmount and straps provided up to 125 mm (5") Mounting frame and straps provided up to 300 mm (13") Mounting frame and straps provided up to 600 mm (24") Mounting frame and straps provided up to 600 mm (24") Mounting frame and straps provided up to 600 mm (24") Mounting frame and straps provided up to 600 mm (24") Mounting frame and straps provided up to 600 mm (24") to 12" with strap kit (not for IP65 (NEMA 7)) High temperature range 104 °C/220 °F HP ²⁾		
RTD temperature Sensor (Mounting hardware & cable included) No RTDs 1 x standard clamp-on RTD, 6 m/20 ft cable 2 x standard clamp-on RTD with 6 m/20 ft cable 1 x standard clamp-on RTD with 15 m/50 ft cable 2 x standard clamp-on RTD with 15 m/50 ft cable	0 5 6 7 8		Approvals: No options (UL, ULc, CE by default) Standard MLFB product offering represents 4 to 6 weeks delivery time		
Battery charger options No battery charger Charger Type A for Europe (CEE7/7) Charger Type G for U.S. (NEMA 5-15P)	0 1 5				
Sensor for channel 1 (includes pipe mounting kit and spacer bar for indicated max. outer diameter listed) See "Sensor selection charts" for specifications.					
no sensor A2 universal B3 universal C3 universal D3 universal E2 universal C1H (high precision) C2H (high precision) D1H (high precision) D4H (high precision) Doppler D1H		A B C D E F M N P R S Z			P1 P

3

Flow Measurement

SITRANS F US Clamp-on

SITRANS FUP1010 (Portable)

Selection and Ordering data

SITRANS FUP1010 (Portable)

- IP67 weatherproof battery powered

7ME3510-

- 0 0

Number of channels/ultrasonic paths

Single channel

1

Dual channel/Dual path

2

Standard flowmeter types and I/O configurations

- Standard I/O
 - Reflexor capable
 - Graphic display
 - 2 x 0 ... 10 V
 - 2 x 4 ... 20 mA
 - 2 x pulse outputs
 - 4 x status logic
 - 2 x 4 ... 20 mA analog in
 - 1 x RTD per channel

C

Sensor cables

(select proper quantity of active channels)

No sensor cable

A

IP67 (weatherproof) only

1 x PVC-jacket, length 6 m (20 ft)
(for IP67 NEMA 6)²⁾

B

2 x PVC-jacket, length 6 m (20 ft)
(for IP67 NEMA 6)²⁾

C

1 x PVC-jacket, length 15 m (50 ft)
(for IP67 NEMA 6)²⁾

D

2 x PVC-jacket, length 15 m (50 ft)
(for IP67 NEMA 6)²⁾

E

RTD temperature sensor

(for type 3 meter only, mounting hardware and cable included)

No RTDs

0

IP67 (weatherproof) only

1 x standard clamp-on RTD (NEMA 6) with
6 m (20 ft) cable¹⁾

5

2 x standard clamp-on RTD (NEMA 6) with
6 m (20 ft) cable¹⁾

6

1 x standard clamp-on RTD (NEMA 6) with
15 m (50 ft) cable¹⁾

7

2 x standard clamp-on RTD (NEMA 6) with
15 m (50 ft) cable¹⁾

8

Battery charger options

no battery charger

0

Charger Type A for Europe (CEE7/7)

1

Charger Type C for Australia (AS3112)

2

Charger Type D for U.K. (BS1363)

3

Charger Type J for Japan (JIS8303)

4

Charger Type G for U.S. (NEMA 5-15P)

5

Charger Type L for Switzerland (SEV1011)

6

Selection and Ordering data

SITRANS FUP1010 (Portable)

- IP67 weatherproof battery powered

7ME3510-

- 0 0

Sensor for channel 1

Including pipe mounting tracks for sizes A & B sensors indented for pipe with a OD less than 125 mm (5") and mounting frame/spacer bars for sizes C, D & E sensors. Straps provided are for the indicated maximum OD listed below. Strap kits are available to accommodate larger pipes (refer to spare part list). Refer to "Sensor Selection Charts" for the sensor suitability of pipe size and wall thickness.

no sensor

A

A2 universal Trackmount and straps provided up to 75 mm (3")

B

B3 universal Trackmount and straps provided up to 125 mm (5")

C

C3 universal Mounting frame and straps provided up to 300 mm (13")

D

D3 universal Mounting frame and straps provided up to 600 mm (24")

E

E2 universal Mounting frame and straps provided up to 600 mm (24")

F

For the following A1H to D4H sensors, temperature range is -40 °C to 65 °C (-41 °F to 150 °F), nominal 21 °C (70 °F):

A2H (high precision) Trackmount and straps provided up to 75 mm (3")

H

A3H (high precision) Trackmount and straps provided up to 75 mm (3")

J

B1H (high precision) Trackmount and straps provided up to 125 mm (5")

K

B2H (high precision) Trackmount and straps provided up to 125 mm (5")

L

C1H (high precision) Mounting frame and straps provided up to 600 mm (24")

M

C2H (high precision) Mounting frame and straps provided up to 600 mm (24")

N

D1H (high precision) Mounting frame and straps provided up to 600 mm (24")

P

D2H (high precision) Mounting frame and straps provided up to 600 mm (24")

Q

D4H (high precision) Mounting frame and straps provided up to 600 mm (24")

R

Doppler to 12" with chain kit

S

High temperature sensor size 2 for up to 230 °C (446 °F) (30 to 200 mm diam. (1.18 to 7.67 inch diam.))

Z

P 1 A

High temperature sensor size 3 for up to 230 °C (446 °F) (150 to 610 mm diam. (5.90 to 24 inch diam.))

Z

P 1 B

High temperature sensor size 4 for up to 230 °C (446 °F) (400 to 1200 mm diam. (15.75 to 47.25 inch diam.))

Z

P 1 C

Flow Measurement SITRANS F US Clamp-on

SITRANS FUP1010 (Portable)

Selection and Ordering data		Article No.	Ord. code
SITRANS FUP1010 (Portable)		7ME3510-	
• IP67 weatherproof battery powered			
Sensor for channel 1 (continued)			
For the following B1H to D4H sensors, temperature range is -1 °C up to 104 °C (30 °F up to 220 °F), nominal 65 °C (150 °F):			
B1H (high temperature range HP)		Z	P 1 K
B2H (high temperature range HP)		Z	P 1 L
C1H (high temperature range HP)		Z	P 1 M
C2H (high temperature range HP)		Z	P 1 N
D1H (high temperature range HP)		Z	P 1 P
D2H (high temperature range HP)		Z	P 1 Q
D4H (high temperature range HP)		Z	P 1 R
Sensor for channel 2			
(includes pipe mounting kit and spacer bar for indicated max. outer diameter listed) See "Sensor selection charts" for specifications.			
no sensor		A	
A2 universal	Trackmount and straps provided up to 75 mm (3")	B	
B3 universal	Trackmount and straps provided up to 125 mm (5")	C	
C3 universal	Mounting frame and straps provided up to 300 mm (13")	D	
D3 universal	Mounting frame and straps provided up to 600 mm (24")	E	
E2 universal	Mounting frame and straps provided up to 600 mm (24")	F	
For the following A1H to D4H sensors, temperature range is -40 °C ... 65 °C (-41 °F ... 150 °F), nominal 21 °C (70 °F):			
A2H (high precision)	Trackmount and straps provided up to 75 mm (3")	H	
A3H (high precision)	Trackmount and straps provided up to 75 mm (3")	J	
B1H (high precision)	Trackmount and straps provided up to 125 mm (5")	K	
B2H (high precision)	Trackmount and straps provided up to 125 mm (5")	L	
C1H (high precision)	Mounting frame and straps provided up to 600 mm (24")	M	
C2H (high precision)	Mounting frame and straps provided up to 600 mm (24")	N	
D1H (high precision)	Mounting frame and straps provided up to 600 mm (24")	P	
D2H (high precision)	Mounting frame and straps provided up to 600 mm (24")	Q	
D4H (high precision)	Mounting frame and straps provided up to 600 mm (24")	R	
Doppler	to 12" with chain kit	S	

Selection and Ordering data		Article No.	Ord. code
SITRANS FUP1010 (Portable)		7ME3510-	
• IP67 weatherproof battery powered			
Sensor for channel 2 (continued)			
High temperature sensor size 2 for up to 230 °C (446 °F) (30 to 200 mm diam. (1.18 to 7.67 inch diam.))		Z	Q 1 A
High temperature sensor size 3 for up to 230 °C (446 °F) (150 to 610 mm diam. (5.90 to 24 inch diam.))		Z	Q 1 B
High temperature sensor size 4 for up to 230 °C (446 °F) (400 to 1200 mm diam. (15.75 to 47.25 inch diam.))		Z	Q 1 C
For the following B1H to D4H sensors, temperature range is -1 °C up to 104 °C (30 °F up to 220 °F), nominal 65 °C (150 °F):			
B1H (high temperature range HP)		Z	Q 1 K
B2H (high temperature range HP)		Z	Q 1 L
C1H (high temperature range HP)		Z	Q 1 M
C2H (high temperature range HP)		Z	Q 1 N
D1H (high temperature range HP)		Z	Q 1 P
D2H (high temperature range HP)		Z	Q 1 Q
D4H (high temperature range HP)		Z	Q 1 R
Approvals: No options (UL, ULc, CE by default)			
1) -40 ... +200 °C (-40 ... +392 °F)			
2) -40 ... +80 °C (-40 ... +176 °F)			

Selection and Ordering data	Article No.
Operating Instructions for SITRANS FUP1010	
English IP67 Weatherproof	A5E02951522
German IP67 Weatherproof	A5E02951534
This device is shipped with a Quick Start Guide and a CD containing further SITRANS F literature.	
All literature is also available for free at: http://www.siemens.com/flowdocumentation	

3

Flow Measurement

SITRANS F US Clamp-on

SITRANS FUP1010 (Portable)

Selection and Ordering data

Further designs

Please add **"-Z"** to Article No. and specify Order code(s).

Languages (Meter and Documentation), English (default). All languages now come standard in all flowmeters

Wet flow transfer calibration (priced on request)

6 point calibration 2/water (Price per channel)

- 2SS40 pipe
- 3CS40 pipe
- 4CS40 pipe
- 4SS40 pipe
- 6CS40 pipe
- 6SS40 pipe
- 6CS120 pipe
- 8CS40 pipe
- 8SS40 pipe
- 8CS120 pipe
- 10CS Standard pipe
- 10CS40 pipe
- 10SS40 pipe
- 12CS Standard pipe
- 12CS40 pipe
- 14CS30 pipe
- 14CS40 pipe
- 16CS Standard pipe
- 16CS40 pipe
- 18CS Standard pipe
- 20CS20 pipe
- 20CS30 pipe
- 24CS Standard pipe
- 24CS20 pipe
- 24CS30 pipe
- 30CS Standard pipe
- 36CS Standard pipe
- Other pipe, other liquid, additional points, witness

1x Insertion RTD with thermowell and lagging

2x Insertion RTD with thermowell and lagging

Tag name plate

- Stainless steel tag with 3.2 mm (0.13 inch) character size (68 characters max.)

Order code

D01
D02
D03
D04
D05
D06
D07
D08
D09
D10
D11
D12
D13
D14
D15
D16
D17
D18
D19
D20
D21
D22
D23
D24
D25
D26
D27
Y28
M1A
M1B
Y19

MLFB example

Application example

A general survey portable flowmeter is required for pipes sizes ranging from 76 ... 500 mm (3" ... 20") with both cast iron and steel material. Doppler may be required as liquid may be moderately aerated.

Requires language support for German.

MLFB Article No.: **7ME3511-2AB01-0DE0-Z
B10**

Selection and Ordering data

Selection and Ordering data	Article No.	Ord. code
SITRANS FUP1010 meter family	7ME3511-2AB01-0DE0-Z	B10
IP67 weatherproof	0	
Dual channel	2	
Portable I/O with Doppler capable, temperature	C	
1 x PVC-Jacket, length 6 m (20 ft)	B	
No RTDs required	0	
Charger Type A for Europe (CEE7/7)	1	
Sensor for DN 50 ... DN 300 (2" ... 12") pipes	D	
Sensor for DN 200 ... DN 600 (8" ... 24") pipes	E	

Universal sensor selection chart IP68

Based on pipe size (all pipe materials)					
Pipe size	Order Code	Outer diameter range (mm)		Outer diameter range (inch)	
		min.	max.	min.	max.
A2	B	12,7	50,8	0,5	2
B3	C	19	127	0,75	5
C3	D	51	305	2	12
D3	E	203	610	8	24
E2	F	254	6096	10	249

High precision sensor selection chart IP68

Based on pipe wall thickness (steel pipes only)					
Pipe Wall	Order Code	Pipe Wall [mm]		Pipe Wall [inch]	
		min.	max.	min.	max.
A1H	G	0,64	1,02	0,025	0,04
A2H	H	1,02	1,52	0,04	0,06
A3H	J	1,52	2,03	0,06	0,08
B1H	K	2,03	3,05	0,08	0,12
B2H	L	3,05	4,06	0,12	0,16
C1H	M	4,06	5,84	0,16	0,23
C2H	N	5,84	8,13	0,23	0,32
D1H	P	8,13	11,18	0,32	0,44
D2H	Q	11,18	15,75	0,44	0,62
D4H	R	15,75	31,75	0,62	1,25

Flow Measurement

SITRANS F US Clamp-on

SITRANS FUP1010 Water and Liquid check metering kits

Overview



There are two check kits available: SITRANS FUP1010 Water check metering kit for water and wastewater applications, and SITRANS FUP1010 Liquid check metering kit for liquid applications other than water. The kits have been developed especially for verifying the accuracy and performance of any brand or type of flowmeter. They can be used to verify the performance of meters based on any existing flow measurement principle: orifice, electromagnetic, ultrasonic, rotary piston, coriolis, etc. In addition, they measure practically all conductive or non-conductive clean or moderately aerated liquids or liquids with suspended solids.

Benefits

- Performance check or verification of any type or brand of flowmeter
- Field use is facilitated by meter portability and 7 hours or normal battery operation.
- Weatherproof enclosure withstands even severe weather conditions
- 1 MByte datalogger capability downloadable to PC via included RS 232 cable
- Fast, easy and cost-efficient on-site measurement of any convoluted pipe from 20 to 1200 mm (0.75 to 48")
- Delivered as an all inclusive kit in a sturdy rolling case that holds all the equipment needed to conduct performance and verification tests (cables, multiple sensors, flow transmitter etc.)

Application

The SITRANS FUP1010 Water and Liquid Check Metering Kits measure practically all conductive or non-conductive clean or moderately aerated liquids or liquids with suspended solids. This basic feature enables the performance check and verification of existing meters used in various water and wastewater applications such as:

Raw Water and sewage

- Potable water
- Chemicals
- Effluent and sludges
- Process control
- Batching
- Rate indication
- Hot and cold water systems

Design

- IP67 weatherproof/impact resistant enclosure, constructed of mineral reinforced copolymer polypropylene
- Single channel

Function

- Integral 33 button keypad and large (128 x 240 pixel) graphic display visible up to 12 m (40 ft) away
- Current, voltage, frequency and RS 232 outputs (see Technical specification section for details)
- ZeroMatic Path automatically sets zero
- Bi-directional flow operation
- 1 MByte data logger with both site and data logger storage
- English, Spanish, German, Italian and French language options

Technical specifications

Pipe sizes	
• Water Check Metering Kit	50 ... 1050 mm (2 ... 42")
• Liquid Check Metering Kit	20 ... 1200 mm (0.75 ... 48")
Accuracy	±0.5 % ... ±2.0 % of flow rate
Flow range	12 m/s (40 ft/s) bidirectional
Media temperature	-40 ... +104 °C (-40 ... 220 °F)
Enclosure ratings	IP67 (Weatherproof)

See page 3/332 for complete technical specifications

Certificates and approvals

Unclassified locations	UL ULc
Classified locations	
CE	EMV Directive 2004/108/EC ATEX Directive 94/9/EC

Flow Measurement

SITRANS F US Clamp-on

SITRANS FUP1010 Water and Liquid check metering kits

Selection and Ordering data	Article No.
SITRANS FUP1010 Water Check Metering Kit	CQO:FUPW-WWKIT
<i>Content of delivery</i>	
1 Single channel portable submersible flow transmitter	
1 pair Universal sensor C3	
1 pair Universal sensor E2	
1 pair Doppler sensors	
1 pair Mounting Ezclamp (2 mounting Ezclamp chains)	
1 Ladder chain	
1 Battery charger	
1 pair 20 ft sensor cable	
1 Cable - 1010WP/WDP to PC	
1 PinStop spacer bar (universal)	
1 Flow case	
1 Flowmeter manual	
1 Laminated card set	
1 Certificate of intrinsic calibration	

Selection and Ordering data	Article No.
SITRANS FUP1010 Liquid Check Metering Kit	CQO:FUS-LIQKIT
<i>Content of delivery</i>	
1 Single channel portable submersible transmitter	
1 pair Universal sensor B3	
1 pair Universal sensor C3	
1 pair Universal sensor D3	
1 pair Universal sensor E2	
1 pair Doppler sensors	
1 pair Sensor cables 6m (20 ft)	
1 pair Mounting track	
1 pair Mounting Ezclamp	
1 Spacer bar (portable)	
1 Ladder chain	
1 Battery charger	
1 RS 232 cable for PC connection	
1 Flow case	
1 Clamp-on flowmeter manual CD	
1 Flowmeter manual	
1 Laminated card set	
1 Certificate of intrinsic calibration	